

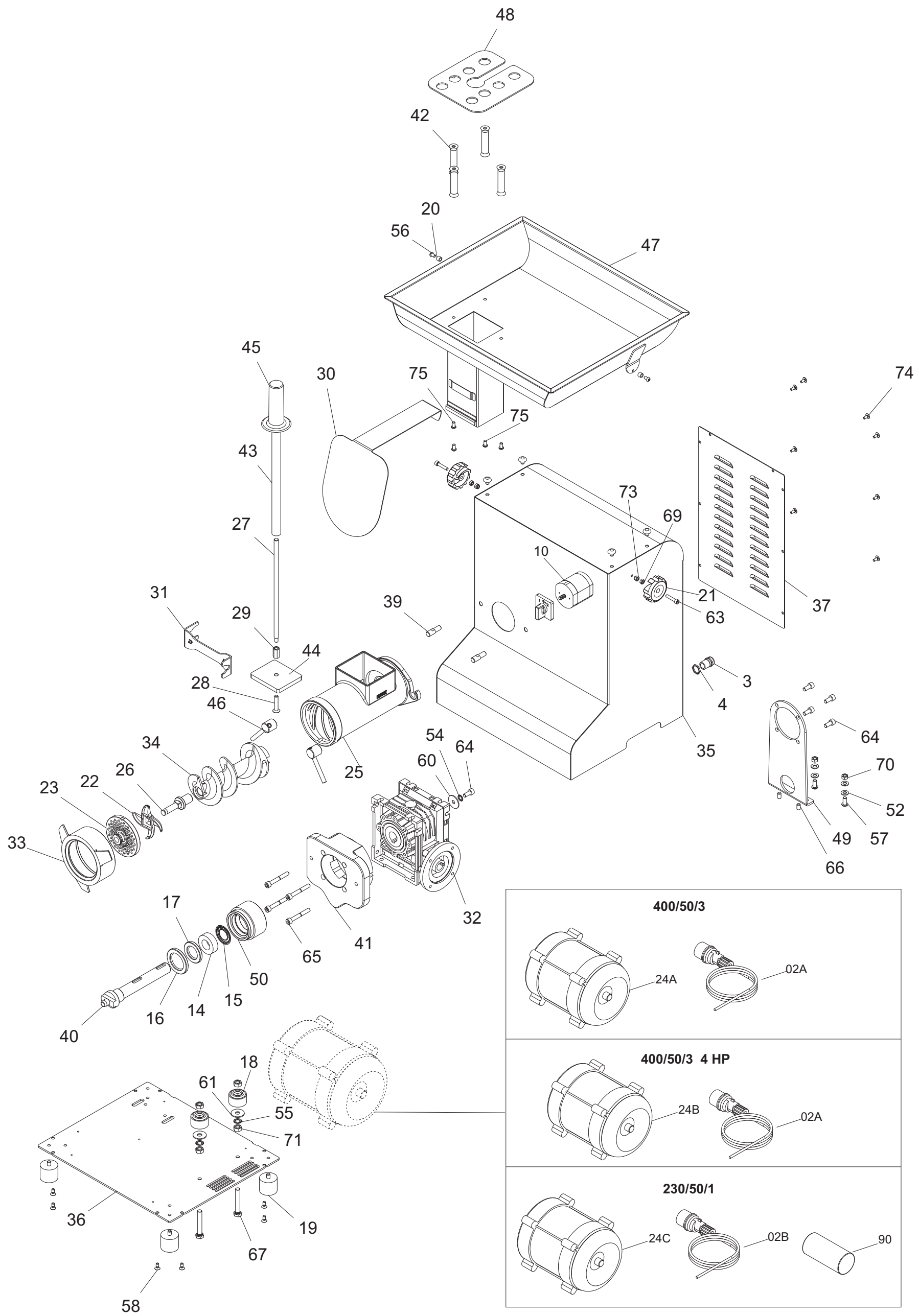
07/2015

Mod: TMGD-32/CA

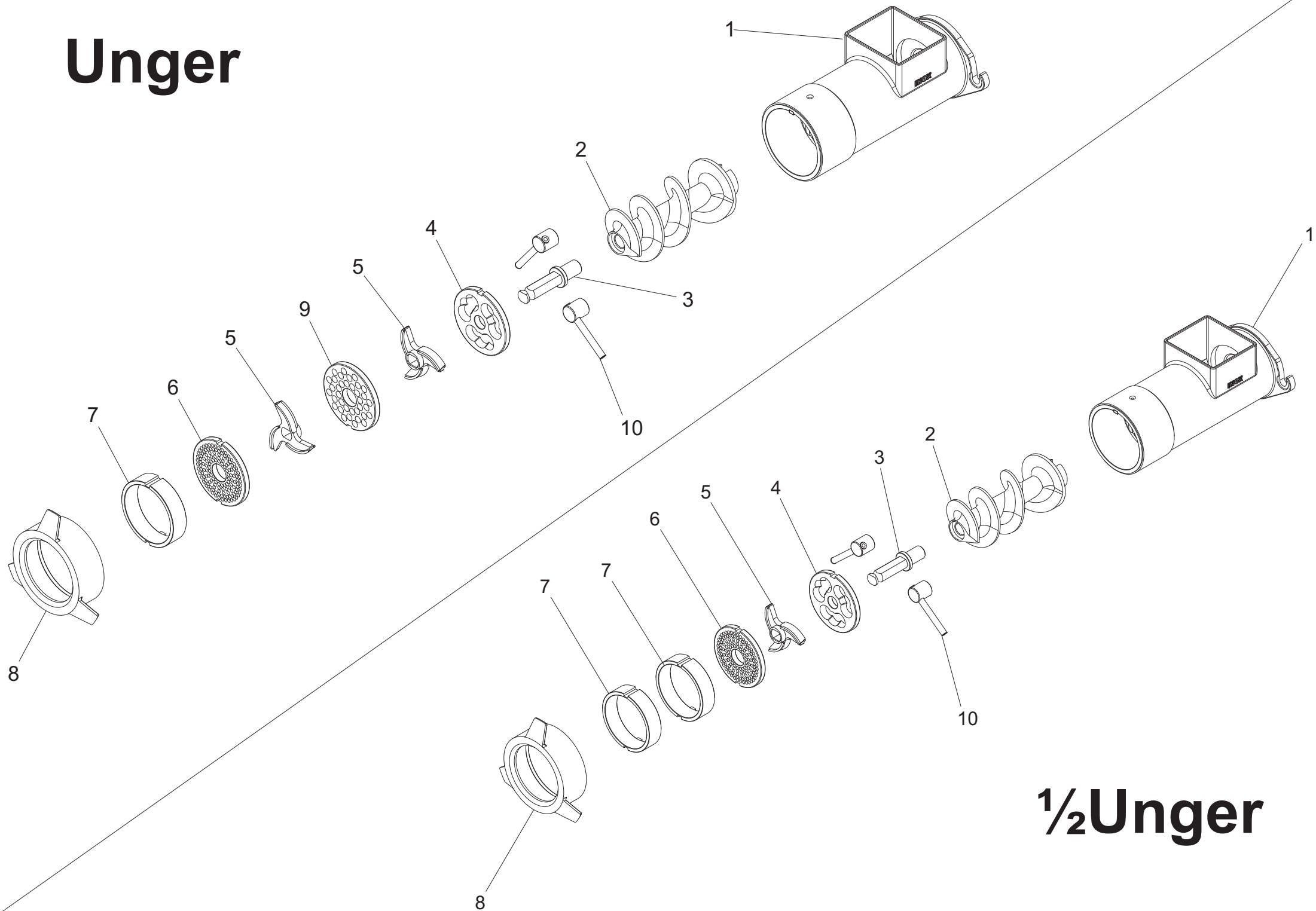
Production code: 213212P12F + LF039770



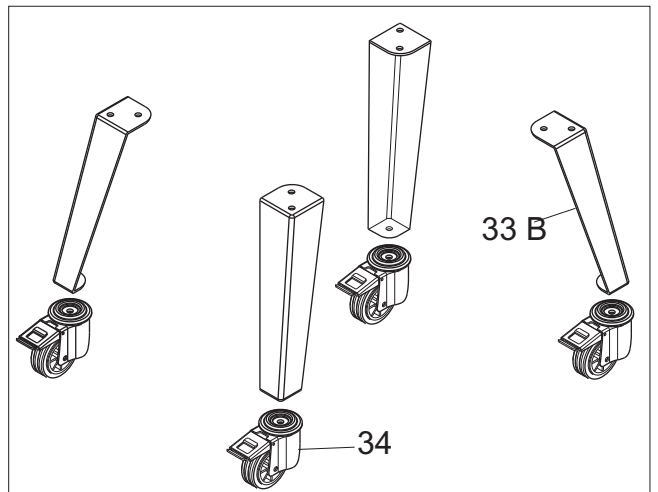
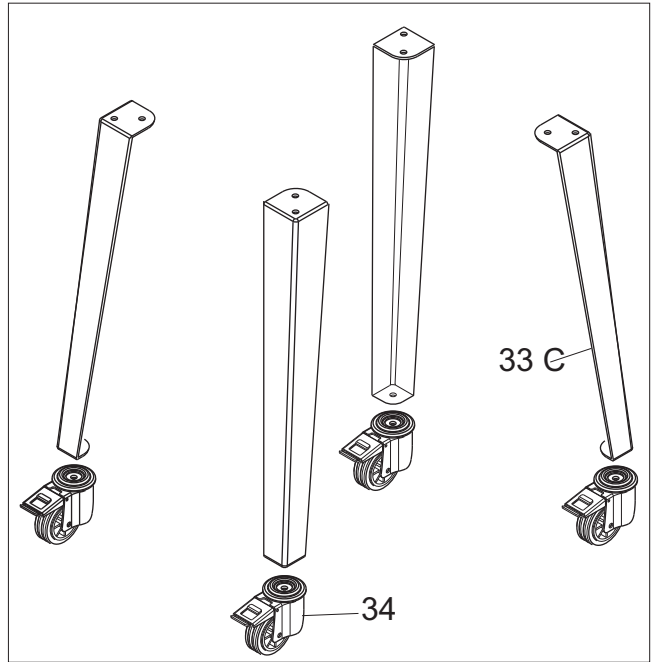
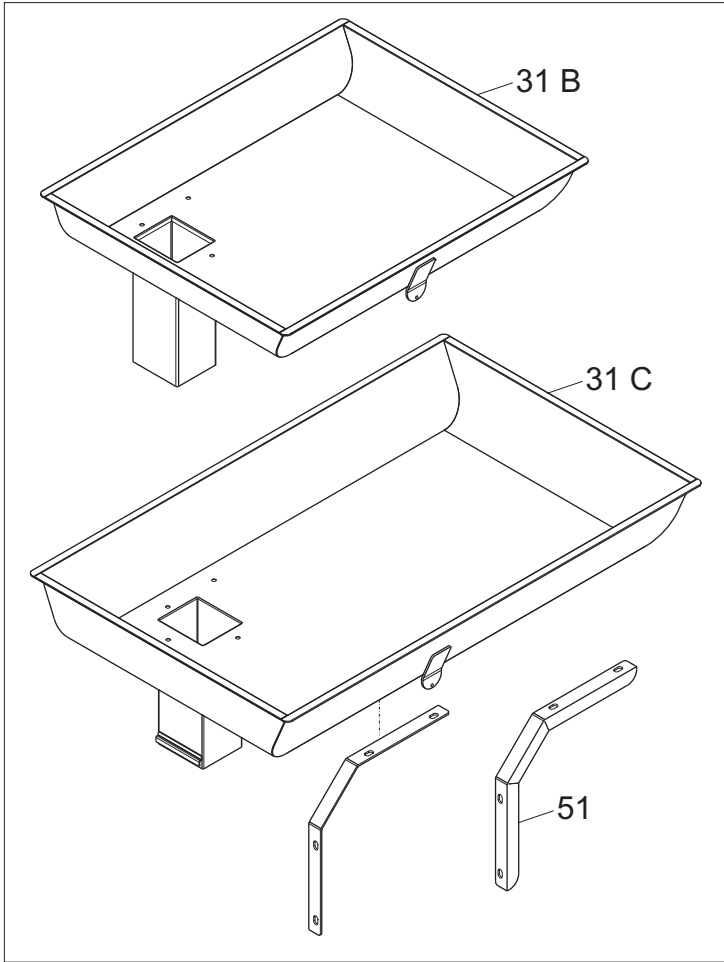
Diamond
catering equipment



Unger



1/2 Unger



TC 32 BUFFALO - from '13.02.28		
Ref.	Product name	Code
1	DISTANZIALE APPLIC. CONTINUA TC 32	LF2038615
2	ANELLA BLOC. IMB.APPL.INS.CON.TC 32	LF2038618
3	PLASTIC FILLING TUBE D.10	LF2011015A
4	PLASTIC FILLING TUBE D.18	LF2011015B
5	PLASTIC FILLING TUBE D.25 MM	LF2011015C

TC 32 BUFFALO - from '13.02.28 tav1		
Ref.	Product name	Code
02B	CAVO + SPINA CEE 2P + T	LF1010050
02A	CAVO + SPINA CEE 3P + T.	LF1010047
3	STRAIN RELIEF + NUT	LF1010063
4	DADO OTT.NICH.PG 11	LF1010063A
10	COMMUTATORE TC 32A	LF1033002
14	BALL BEARING 32005 TC32	LF1193701
15	PROT. CUSC.32005X TC GOL 1204JV	LF1193705
16	GASKET 40-62-7 FOR MINCER	LF1239401
17	DOUBLE LIP SEAL 30-52-7	LF1293701
18	RUBBER FOOT DIAM 40 H=25	LF1433001
19	RUBBER FOOT 40X35 PM M8X10	LF1433005
20	SPACER PLAST. TRA. 10X6, 2X7, 5	LF1437501
21	LOCKING KNOB FOR BONE SAW	LF1510704
22	COLTELLO 32 SPECIALE PER NERVI	LF1533000N
23	PIASTRA 32 IX FORO 4,5 X SALDOB 2CH	LF153304512S
24C	MOTORE TC 32 230V/50HZ	LF1838603
24A	MOTOR 380/50 TC 32 FROZEN	LF1838601
24B	MOTOR 4 HP 380/50/3 FOR TC 32	LF1839701
25	OPENING FOR MINCER TC 32	LF2039701
26	WORM PIN FOR MINCER TC 32	LF2033013
27	BARRA FILETTATA PESTELLO TC 42	LF2034543
28	VITE TSP M8X40 PEST TC 32-42	LF2034544
29	DADO INOX M8 X 20 PEST. TC 32-42	LF2034545
30	SPLASH GUARD TC 32-42	LF2034549
31	PLATES & KNIVES REMOVAL TOOL	LF2034552
32	RIDUTTORE NMRV 063 B14 I=7	LF2035949
33	FIXING SCREW TC 32	LF2035965
34	FEEDING WORM TC 32 BUFFALO	LF2039703
35	CARCASSA IX CON CARTER TC 32 SM	LF2039709
36	FONDELLO X CAR. CON CARTER TC 32 SM	LF2039712
37	CARTER CHIUSURA CARENA IX TC 32 SM	LF2039715
39	PRIGIONIE.SBLOC.Bocca TC 32 SM	LF2039722
40	DRIVE SHAFT FOR TC32	LF2039725
41	FLANGIA ALL. SUPP. BOCCA TC42 LAV.	LF2039732
42	DISTANZIALI PARAMANO TC 32 SM	LF2039734
43	TUBO PESTELLO TC 32	LF2039736
44	PAD, PESTLE TC32	LF2039738
45	MANOPOLA ASTA PESTELLO TC 32 SM	LF2039741
46	LEVER NUT, TC32-42	LF2039743

47	TRAMOGGIA IX TC 32 538*450*90 LT 21	LF2039746
48	SALVAMANO GIG TRAM TC 32 SM	LF2039752
49	FERMO PER TAGL POLIET.TC 32 SM	LF2039763
50	COLLO INOX BOCCA TC 32 TCM 60L	LF2093618
52	WASHER DIN 125 D 8	IX2125008
54	RONDELLA DENTEL. DIN 6798-A D 8E	IX26798A008
55	RONDELLA DENTEL. DIN 6798-A D 10E	IX26798A010
56	SCREW TBEI ISO 7380 M 6X10	IX27380006010
58	VITE TSPEI DIN 7991 M 6X14	IX27991006014
60	RONDELLA F.LARGA DIN 9021 D 8X32	IX29021008032
61	RONDELLA F.LARGA DIN 9021 D 10X30	IX29021010030
63	SCREW TCEI DIN 912 M 6X30	IX2912006030
64	VITE TCEI DIN 912 M 8X18	IX2912008018
65	VITE TCEI DIN 912 M 8X60	IX2912008060
69	HEX.NUT DIN 934 M 6	IX2934006
70	HEX.NUT DIN 934 M8	IX2934008
71	DADO ES. DIN 934 M 10	IX2934010
73	LOCKNUT ES DIN 982 M6 ALTO	IX2982006
75	VITE TCSU ANTICONTRAF. M 6X12	IX2TCSU006012
90	CONDENSATORE DA 55 UF	LF1011055

TC 32 BUFFALO - from '13.02.28 tav2		
Ref.	Product name	Code
31 B	TRAMOGG. TC 32 BFF 538*660*90 LT 30	LF2039749
31 C	TRAMOGG. TC 32 BFF 900*563*120 LT60	LF2039779
33 C	GAMBA CAVAL.LUNGA	LF2039766
33 B	GAMBA CAVAL.MEDIA	LF2039755
34	WHEEL WITH BRAKE D80	LF1539701
51	SUPPORTO TRAMOGGIA LT 60 TC 32	LF2039796

TC 32 BUFFALO - from '13.02.28		
Ref.	Product name	Code
1	BOCCA UNGER LONG LUCID IX TC 32 SM	LF2039707
2	FEEDING WORM TC 32 BUFFALO	LF2039703
3	UNGER WORM PIN FOR TC 32	LF2033202
4	PIASTRA 32 UNG ZIG ZAG B/98	LF153322Z
5	COLTELLO DOPPIO 32 UNG B/98	LF1533200
6	PIASTRA 32 UNG FORO 5 2 CHIA B/98	LF1533250/2
7	SPACER RING UNGER TC 32 2C	LF15332DD2X
8	GHIERA SATIN LONG TC 32 POL	LF2035966
9	PIASTRA 32 UNG FORO 10 B/98	LF1533210
10	LEVER NUT, TC32-42	LF2039743